



ENGINEERED FOR SUPERIOR PERFORMANCE

Stainless Steel Piping System for Liquids and Gases





AQUApipe is a complete stainless steel piping system for liquid and gas conveyance in a wide range of applications. Our company has operated for over 20 years within the piping industry. During this time we have become a global leader in innovative design and manufacturing. Continued investment in R&D ensures user and installer feedback influences our innovations.

AQUApipe is a quick, clean, and simple system to install. The technology has evolved the piping industry and offers considerable savings.



AQUApipe is a product brand within the AIRpipe Group. We're committed to total system solutions. Our services unit is available to assist with application questions, system design, take-offs, and training within the liquid and compressed gas piping industry.



Why use AQUApipeline?

- The most economical 304/316 stainless steel pipe and fitting system from 1/2" to 10" .
- AQUApipeline is a proven technology designed with a simple and robust connection for long-term system reliability.
- AQUApipeline is a flameless and clean system that greatly shortens repair and installation times, resulting in a +50% reduction to traditional installed costs.
- Seal and material options allow for the conveyance of nearly any liquid or gas.
- AQUApipeline press fittings don't require expensive tooling and can be installed in under 1 minute.



You don't have time to deal with welding and threading.



- **AQUApipeline applied in Compressed Air, Vacuum, and Cooling Water.**

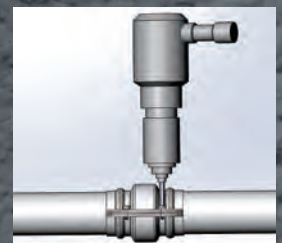


Engineered for
Superior Performance

OUR TECHNOLOGY



Clamp connection



◀ 5" to 10"

- Clampshell union connector, quick install & re-assembly.
- Convex ring, allowing for a full-bore inner diameter.
- Active concentric sealing for a leak free connection.
- Superior reliability & longevity.



1/2" to 4" ▶

- Built-in sealing, options for gases and liquids.
- Extended fitting sleeve to keep pipe straight.
- Quick-press installation to reduce labor.
- Superior reliability & longevity.

AQUApipe vs PPR Pipe



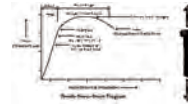
	Items	AQUApipe (304)	PPR pipe	Remark
Corrosion Resistance	Tensile strength(kpsi)	≥75.419	≥7.106	PPR's strength is only 9.2% of AQUApipe.
	UV impact	No impact	Aging	Plastic ages rapidly in UV light.
	Expansion factor(10 ⁻⁶ m/°C) (0-100°C)	16	70	Expansion is 8 times of AQUApipe, risk of leaking/ breaking due to temperature change.
	Lowest temperature	-40°F, sealing -454°F	23°F	PPR becomes brittle in subzero temperatures.
	Highest temperature	248°F, sealing 752°F	194°F	Risk of toxic materials separating out of PPR when temps are above 194°F.
Environmental Protection	System Contamination	No	Can occur	Contamination can leech into PPR.
	Toxic materials	No	Possible	Possible into fluids
	Odours	No	Possible	Possible into fluids
	Recycle	Recycle	Non-degradation	Can not be 100% recycled
	Lifetime	≥ 100 years	5-20 years	¼ the lifetime of AQUApipe

Physical Performance of Different Pipes



Pipe Materials	Density (lb/ft ³)	Expansion Factor (10 ⁻⁶ m/°C)	Thermal Conductivity (W/m°C)	Specific Heat Conductivity (J/KG°C)	Resistivity (Ωkmm ² /m)	Young's Modulus (kpsi)	Magnetism
AQUApipes	495	16	15	500	0.72	29	No
Carbon steel pipe	490	11.6	60	60	0.14	30	Yes
Plastic pipe	UPVC	84.3	70	0.05	1470	C.10-18	/
	PE, PEX, PB	59.3	140				
	PP-R	56.2	110				

Tensile Strength of Metal Pipes



Pipe Type	Material	Tensile Strength (kpsi)	Elongation (%)
AQUApipes	304	75.400~108.750	>35
	304L	69.600~97.150	
	316	75.400~98.600	
	316L	69.600~89.900	
Carbon steel	Carbon steel	33.350~42.050	>30
Copper	Copper	30.450~55.100	>40

Flow Rate Comparison



Pipe Materials (cfm)	Nominal Diameter					
	½	¾	1	1 ¼	2	2 ½
AQUApipes	0.247	0.565	1.2	1.871	6.144	10.488
Copper pipe	0.212	0.53	1.06	1.8	5.65	9.358
Galvanized pipe	0.212	0.459	0.883	1.73	4.873	9.358
Plastic pipe	0.176	0.388	0.847	1.765	5.4	/

* Inner roughness affect flow by same press, length.

PRODUCT LIST

* Standard PN for 304 SS with EPDM seals, 316 SS and different seal materials are available.

304 STAINLESS STEEL PIPE

19.6 ft Length



AQUApipe	DN	Thickness mm
50100000103	1/2"	0.8
50100010103	3/4"	1.0
50100020103	1"	1.0
50100030103	1 1/4"	1.2
50100040103	1 1/2"	1.2
50100050103	2"	1.2
50100060103	2 1/2"	1.2
50100140103	3"	1.5
50100080003	4"	1.5
50100090003	5"	2.0
50100100003	6"	2.0
50100110003	8"	2.5
50100120003	10"	3.0

PIPE TO PIPE CONNECTOR



AQUApipe	DN
51202000001	1/2"
51202010001	3/4"
51202020001	1"
51202030001	1 1/4"
51202040001	1 1/2"
51202050001	2"
51202060001	2 1/2"
51202140001	3"
51202080001	4"
50102090106	5"
50102100106	6"
50102110106	8"
50102120103	10"



90° ELBOW



AQUApipe	DN
51203000001	1/2"
51203010001	3/4"
51203020001	1"
51203030001	1 1/4"
51203040001	1 1/2"
51203050001	2"
51203060001	2 1/2"
51203140001	3"
51203080001	4"
50103090003	5"
50103100003	6"
50103110003	8"
50103120003	10"



* Supplied with (2) Union Connectors.

45° ELBOW



AQUApipe	DN
51204000001	1/2"
51204010001	3/4"
51204020001	1"
51204030001	1 1/4"
51204040001	1 1/2"
51204050001	2"
51204060001	2 1/2"
51204140001	3"
51204080001	4"
50104090003	5"
50104100003	6"
50104110003	8"
50104120003	10"



* Supplied with (2) Union Connectors.

EQUAL TEE


AQUApipes	DN
5120500001	1/2"
51205010001	3/4"
51205020001	1"
51205030001	1 1/4"
51205040001	1 1/2"
51205050001	2"
51205060001	2 1/2"
51205140001	3"
51205080001	4"
50105090003	5"
50105100003	6"
50105110003	8"
50105120003	10"



* Supplied with (3) Union Connectors.

END CAP


AQUApipes	DN
51206000001	1/2"
51206010001	3/4"
51206020001	1"
51206030001	1 1/4"
51206040001	1 1/2"
51206050001	2"
51206060001	2 1/2"
51206140001	3"
51206080001	4"
50106090003	5"
50106100003	6"
50106110003	8"
50106120003	10"



* Supplied with (1) Union Connector.

REDUCING TEE

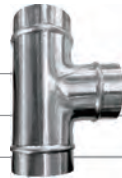

AQUApipes	DN	DN
51207010001	3/4"	1/2"
51207020001	1"	1/2"
51207020101	1"	3/4"
51207030001	1 1/4"	1/2"
51207030101	1 1/4"	3/4"
51207030201	1 1/4"	1"
51207040001	1 1/2"	1/2"
51207040101	1 1/2"	3/4"
51207040201	1 1/2"	1"
51207040301	1 1/2"	1 1/4"
51207050001	2"	1/2"
51207050101	2"	3/4"
51207050201	2"	1"
51207050301	2"	1 1/4"
51207050401	2"	1 1/2"
51207060001	2 1/2"	1/2"
51207060101	2 1/2"	3/4"
51207060201	2 1/2"	1"
51207060301	2 1/2"	1 1/4"
51207060401	2 1/2"	1 1/2"
51207060501	2 1/2"	2"
51207140001	3"	1/2"
51207140101	3"	3/4"
51207140201	3"	1"
51207140301	3"	1 1/4"
51207140401	3"	1 1/2"
51207140501	3"	2"
51207140601	3"	2 1/2"
51207080101	4"	3/4"
51207080201	4"	1"
51207080301	4"	1 1/4"
51207080401	4"	1 1/2"
51207080501	4"	2"
51207080601	4"	2 1/2"
51207081401	4"	3"

REDUCING TEE



AQUApipe	DN	DN
51207090601	5"	2 1/2"
51207091401	5"	3"
51207090801	5"	4"
51207100601	6"	2 1/2"
51207101401	6"	3"
51207100801	6"	4"
51207110601	8"	2 1/2"
51207111401	8"	3"
51207110801	8"	4"
51207120601	10"	2 1/2"
51207121401	10"	3"
51207120801	10"	4"

50107100903	6"	5"
50107110903	8"	5"
50107111003	8"	6"
50107120903	10"	5"
50107121003	10"	6"
50107121103	10"	8"



* Supplied with (3) Union Connectors.

PIPE REDUCING CONNECTOR



AQUApipe	DN	DN
51221090601	5"	2 1/2"
51221091401	5"	3"
51221090801	5"	4"
51221100601	6"	2 1/2"
51221101401	6"	3"
51221100801	6"	4"
51221110601	8"	2 1/2"
51221111401	8"	3"
51221110801	8"	4"
51221120601	10"	2 1/2"
51221121401	10"	3"
51221120801	10"	4"

* A Union Connector is Supplied on 5" to 10" Connections.

PIPE REDUCING CONNECTOR



AQUApipe	DN	DN
51221010001	3/4"	1/2"
51221020001	1"	1/2"
51221020101	1"	3/4"
51221030001	1 1/4"	1/2"
51221030101	1 1/4"	3/4"
51221030201	1 1/4"	1"
51221040001	1 1/2"	1/2"
51221040101	1 1/2"	3/4"
51221040201	1 1/2"	1"
51221040301	1 1/2"	1 1/4"
51221050001	2"	1/2"
51221050101	2"	3/4"
51221050201	2"	1"
51221050301	2"	1 1/4"
51221050401	2"	1 1/2"
51221060001	2 1/2"	1/2"
51221060101	2 1/2"	3/4"
51221060201	2 1/2"	1"
51221060301	2 1/2"	1 1/4"
51221060401	2 1/2"	1 1/2"
51221060501	2 1/2"	2"
51221140101	3"	3/4"
51221140201	3"	1"
51221140301	3"	1 1/4"
51221140401	3"	1 1/2"
51221140501	3"	2"
51221140601	3"	2 1/2"
51221080201	4"	1"
51221080301	4"	1 1/4"
51221080401	4"	1 1/2"
51221080501	4"	2"
51221080601	4"	2 1/2"
51221081401	4"	3"

50121100903	6"	5"
5012111003	8"	6"
50121121003	10"	6"
50121121103	10"	8"

* Supplied with (2) Union Connectors.



FEMALE NPT ADAPTER


AQUApipeline	DN	
51319000001	1/2"	1/2"
51319000101	1/2"	3/4"
51319010001	3/4"	1/2"
51319010101	3/4"	3/4"
51319010201	3/4"	1"
51319020001	1"	1/2"
51319020101	1"	3/4"
51319020201	1"	1"
51319020301	1"	1 1/4"
51319030201	1 1/4"	1"
51319030301	1 1/4"	1 1/4"
51319030401	1 1/4"	1 1/2"
51319040301	1 1/2"	1 1/4"
51319040401	1 1/2"	1 1/2"
51319050401	2"	1 1/2"
51319050501	2"	2"
51319060601	2 1/2"	2 1/2"
51319140601	3"	2 1/2"

MALE NPT ADAPTER


AQUApipeline	DN	
51317000001	1/2"	1/2"
51317000101	1/2"	3/4"
51317010001	3/4"	1/2"
51317010101	3/4"	3/4"
51317010201	3/4"	1"
51317020001	1"	1/2"
51317020101	1"	3/4"
51317020201	1"	1"
51317020301	1"	1 1/4"
51317030201	1 1/4"	1"
51317030301	1 1/4"	1 1/4"
51317030401	1 1/4"	1 1/2"
51317040301	1 1/2"	1 1/4"
51317040401	1 1/2"	1 1/2"
51317050401	2"	1 1/2"
51317050501	2"	2"
51317060601	2 1/2"	2 1/2"
51317140601	3"	2 1/2"

FEMALE NPT SWIVEL ADAPTER


AQUApipeline	DN	
51350000001	1/2"	1/2"
51350010101	3/4"	3/4"
51350020201	1"	1"
51350030301	1 1/4"	1 1/4"
51350040401	1 1/2"	1 1/2"
51350050501	2"	2"

**FEMALE SHORT NPT
90 DEG. ELBOW**


AQUApipeline	DN	
51369000001	1/2"	1/2"
51369010001	3/4"	1/2"
51369010101	3/4"	3/4"
51369020101	1"	3/4"
51369020201	1"	1"
51369030201	1 1/4"	1"
51369030301	1 1/4"	1 1/4"

MALE NPT 90 DEG. ELBOW



AQUApipe	DN	
5131500001	1/2"	1/2"
51315010001	3/4"	1/2"
51315010101	3/4"	3/4"
51315020101	1"	3/4"
51315020201	1"	1"
51315030201	1 1/4"	1"
51315030301	1 1/4"	1 1/4"
51315040301	1 1/2"	1 1/4"
51315040401	1 1/2"	1 1/2"
51315050401	2"	1 1/2"
51315050501	2"	2"

FEMALE NPT 90 DEG. ELBOW



AQUApipe	DN	
51313000001	1/2"	1/2"
51313010001	3/4"	1/2"
51313010101	3/4"	3/4"
51313020101	1"	3/4"
51313020201	1"	1"
51313030201	1 1/4"	1"
51313030301	1 1/4"	1 1/4"
51313040401	1 1/2"	1 1/2"
51313050501	2"	2"

MALE NPT TEE



AQUApipe	DN	
51367000001	1/2"	1/2"
51367010001	3/4"	1/2"
51367010101	3/4"	3/4"
51367020101	1"	3/4"
51367020201	1"	1"
51367030201	1 1/4"	1"
51367030301	1 1/4"	1 1/4"

MALE NPT TEE




AQUApipe	DN	
51365000001	1/2"	1/2"
51365010001	3/4"	1/2"
51365010101	3/4"	3/4"
51365020001	1"	1/2"
51365020101	1"	3/4"
51365020201	1"	1"
51365030001	1 1/4"	1/2"
51365030101	1 1/4"	3/4"
51365030201	1 1/4"	1"
51365030301	1 1/4"	1 1/4"
51365040001	1 1/2"	1/2"
51365040101	1 1/2"	3/4"
51365040201	1 1/2"	1"
51365040301	1 1/4"	1 1/4"
51365040401	1 1/4"	1 1/2"
51365050001	2"	1/2"
51365050101	2"	3/4"
51365050201	2"	1"
51365050301	2"	1 1/4"
51365050401	2"	1 1/2"
51365050501	2"	2"

FLANGE




AQUApipe	Pipe size	ANSI Flange size
51370030001	1 1/4"	1 1/4"
51370040001	1 1/2"	1 1/2"
51370050001	2"	2"
51370060001	2 1/2"	2 1/2"
51371071401	3"	3"
51370080001	4"	4"
51371060501	2"	2 1/2"
51371061401	3"	2 1/2"
51371070801	4"	3"
51371090801	4"	5"


AQUApipeline	Pipe size	ANSI Flange size	
51370090003	5"	5"	
51370100003	6"	6"	
51370110003	8"	8"	
51370120003	10"	10"	
51371080903	5"	4"	
51371091003	6"	5"	
51371100903	5"	6"	
51371111003	6"	8"	
51371121103	8"	10"	

* Supplied with (1) Union Connector.


DOUBLE FEMALE NPT LOCKING BALL VALVE

AQUApipeline	
50375000001	1/2"
50375010001	3/4"
50375020001	1"
50375030001	1 1/4"
50375040001	1 1/2"
50375050001	2"

DOUBLE MALE NPT LOCKING BALL VALVE

AQUApipeline	
50375000101	1/2"
50375010101	3/4"
50375020101	1"
50375030101	1 1/4"
50375040101	1 1/2"
50375050101	2"

MALE x FEMALE NPT LOCKING BALL VALVE

AQUApipeline	
50375000201	1/2"
50375010201	3/4"
50375020201	1"
50375030201	1 1/4"
50375040201	1 1/2"
50375050201	2"

SWING CHECK VALVE



AQUApipeline	Pipe size
12080040102	1 1/2"
12080050102	2"
12080060102	2 1/2"
12080140102	3"
12080080102	4"
12080090102	5"
12080100102	6"
12080110102	8"
12080120102	10"

* NPT male threaded joints are needed for 1 1/2" and 2".

* ANSI flanges are needed for 2 1/2" to 10".

BUTTERFLY VALVE (PRE-ASSEMBLED)



AQUApipeline	DN
51351060101	2 1/2"
51351140101	3"
51351080101	4"

* Supplied with (2) Union Connectors.

TURBINE BUTTERFLY VALVE (PRE-ASSEMBLED)



AQUApipeline	DN
51351090103	5"
51351100103	6"
51351110103	8"
51351120103	10"

* Supplied with (2) Union Connectors.

PIPE BRIDGE



AQUApipeline	DN
50101000001	1/2"
50101010001	3/4"
50101020001	1"
50101030001	1 1/4"

FLEXIBLE HOSE



AQUApipe	DN	Length (in)
5125500001	1/2"	11.81
51255010001	3/4"	11.81
51255020001	1"	11.81
51255030001	1 1/4"	11.81
51255040001	1 1/2"	11.81
51255050001	2"	11.81
51255060001	2 1/2"	19.69
51255140001	3"	19.69
51255080001	4"	19.69



AQUApipe	DN	Length (in)
50155090003	5"	19.69
50155100003	6"	19.69
50155110003	8"	19.69
50155120003	10"	19.69

* Supplied with (2) Union Connectors.

THREADED PIPE ADAPTERS



AQUApipe	DN	Length (in)
5133100001	1/2"	1/2"
51331010001	3/4"	3/4"
51331020001	1"	1"
51331030001	1 1/4"	1 1/4"
51331040001	1 1/2"	1 1/2"
51331050001	2"	2"
51331000002	1/2"	1/4"
51331010002	3/4"	1/2"
51331020002	1"	3/4"
51331010003	3/4"	1"
51331020003	1"	1/2"

ANSI FEMALE THREADED FLANGE



AQUApipe	ANSI Flange size	Length (in)
30370040401	1 1/2"	1 1/2"
30370050501	2"	2"
30370060201	3"	1"
30370060401	3"	1 1/2"
30370060501	3"	2"
30370080401	4"	1 1/2"
30370080501	4"	2"
30370080601	4"	2 1/2"
30370090401	5"	1 1/2"
30370090501	5"	2"
30370090601	5"	2 1/2"
30370090701	5"	3"
30370100401	6"	1 1/2"
30370100501	6"	2"
30370100601	6"	2 1/2"
30370100701	6"	3"

SS PIPE CUTTER



AQUApipe
50135000201

DEBURRER TOOL






AQUApipe	Description
50135000301	For all diameters

Technical Specifications



- The Max. Working Pressure for 6" and below is 200 psi;
The Max. Working Pressure for 8" and 10" is 188 psi;
- Max. vacuum: 1mbar/ 0.03 in. Hg absolute.
- Working temperature range & fluid medium table:

Sealing Code	Description	Color	Working Temperature	Main Applicable Medium
EPDM	Ethylene Propylene Diene Monomer		-20°C to 120°C -4°F to 248°F	Chilled/Cooling Water; Waste Waters; Hydronic Heating; Low Pressure Steam; Fire Water System.
FKM	Viton Fluoroelastomer		-20°C to 200°C -4°F to 392°F	High Temp. Steam & Gas, Solar, Heating, Compressed Air, Acid Solutions, Chemicals, Inert Gases.
NBR	Nitrile Butadiene Rubber		-20°C to 100°C -4°F to 212°F	Hydraulic Oils, Inert Gases, Compressed Air, Lubricants.

Main Applications

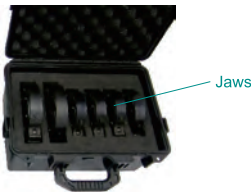
AQUApipeline is designed to convey fluids and gases used in a variety of applications including:

- Chilled/Cooling Water
- Process Water
- Compressed Air and Inert Gases
- Chemicals
- Acid Solutions
- Caustic Solutions
- Hot Water
- Low-Pressure Steam (15 psi max)
- Vacuum
- Hydraulic Oils
- Waste Waters
- DEF



Quick & Easy Installation

Press Tools



AQUApipe	Description	Range
51144000104	Full tool set includes 6 jaws (1/2", 3/4", 1", 1 1/4", 1 1/2", 2") + 1 Jaw clamber + 1 Portable gun + 2 Batteries + 1 Charger	1/2"- 2"

51144000101	Small diameter press jaw set includes 6 jaws (1/2", 3/4", 1", 1 1/4", 1 1/2", 2").	1/2"- 2"
-------------	------------------------------------------------------------------------------------	----------



AQUApipe	Description	Range
51144000111	Full tool set includes 4 Jaws (2 1/2", 3", 4"). + 1 Jaw clamber + 1 Hydraulic cylinder + 1 Chargable pump (Includes wire control & 1.5m Oil hose) + 2 Batteries + 1 Charger	2 1/2"- 4"

51144000108	Large diameter press jaw set includes 3 jaws, master head, and cylinder for 2 1/2" to 4".	2 1/2"- 4"
-------------	-------------------------------------------------------------------------------------------	------------



AQUApipe	Description	Range
12144000109	Portable pump	1/2"- 4"
51144000107	Hydraulic press cylinder * Fits all press jaws.	

1/2" - 4" Press Connection



Use pipe cutter to cut the pipe.



Deburr and chamfer the pipe end.



Visually check the seal is seated.



Verify complete press. Finished.



Press the fitting using the proper AQUApipe jaw, and a press tool.

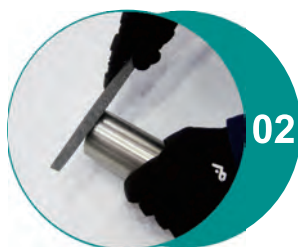


Mark insertion depth.

5" - 10" Clamshell Connection



Use cutting machine to cut the pipe.



Deburr and chamfer the pipe end.



Use AQUApipe lugging machine to lug the pipe.



Flush the clamshell halves together. Finished.



Position the clamshell over the sealing element, ensuring the lugs align with the grooves.



Insert the pipe ends into the seal to 2-3 cm on each side.

Applications

Industrial Installations



● Compressed Air for Foods.



● Cooling water for new Material.



● Oil and Cooling water for Machinery.



● Cooling water for Auto Parts.



● Oxygen for LED.



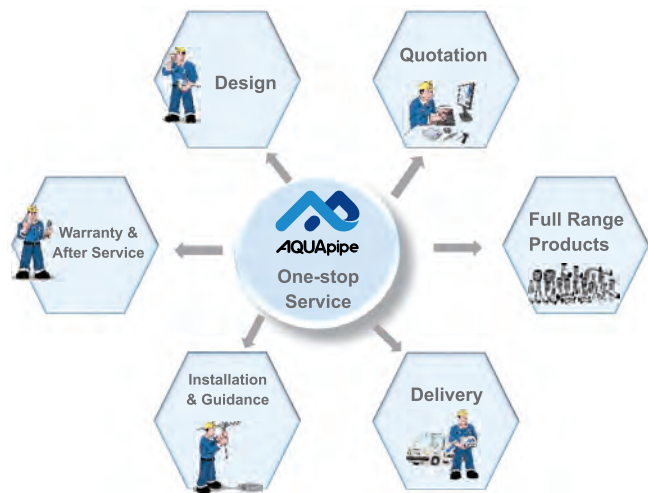
● Compressed Air for New Energy.

Cooling System



One-stop Service

AQUApipe provides **“One-stop Service”** worldwide. Our global network means you're never far from support for your project.



Warranty and Certifications

10 Year Warranty:



The AIRpipe Group warranties AQUApipe products to be free of defects in material for a period of ten years from the date of product purchase.

AQUApipe does not warrant the design, assembly or installation of the system, but only the components with an official AQUApipe logo. AQUApipe is not responsible for improper assembly, installation, or for any modifications of the product.

The warranty is void upon:

- (a) Failure to follow assembly or installation guidelines;
- (b) Alteration, misuse or abuse of, or damage to the products;
- © Operation beyond the design range, excessive pressure, stress, or mishandling in any way;
- (d) Use other than for the intended purpose or in a manner other than specified by AIRpipe.

Certifications and Compliances:

ISO 9001 version 2015
 ISO 14001 version 2004
 ASME, UL, TUV, CE, EN and TS





We provide superior performing compressed air & fluid systems with engineered longevity to reduce operating costs and improve productivity.

AIRpipe CHINA

Tel: +86 574 5587 6761
Fax: +86 574 8788 5151
No.18 MoGanShan Road, BeiLun District, NingBo, China 315800
Email: info@airpipetech.com
Web: <http://www.airpipetech.com/en/>

AIRpipe INDIA

Tel: 011-4953588, 4175588
709, Shahpuri Tower, C-58, Janakpuri, New Delhi - 110058
Email: sales@airpipe.in
Web: www.airpipe.in

AIRpipe KOREA

Tel: 82-01031743896
No.201,124-24, Dorim-ro, Yeongdeungpo-gu, Seoul, Republic of Korea 07416
Email: ethan@airpipetech.com
Web: <http://www.airpipetech.com/kr/>

AIRpipe EUROPE

Tel: +33 (0)2 40 05 10 20
4 impasse Augustin Fresnel, 44800 Saint-Herblain, France
Email: contact@airpipe-Europe.com
Web: www.airpipe-europe.com

AIRpipe TAIWAN

Tel: +886-3-5889930 Fax: +886-3-5889970
No. 283-41, Baozhong Rd., Xinpu Township, Hsinchu Country 305, Taiwan (R.O.C.)
Email: jeff_lung@airpipetech.com
Web: www.airpipetech.com

AIRpipe VIETNAM

Tel: 02873001984
3/18 Le Thi Rieng, Quarter 1, An Thoi Ward, District 12, HCMC, Vietnam
Email: chenjs@airpipetech.com
Web: <http://www.airpipetech.com/vie/>

Corporate Headquarters -

AIRpipe USA

Tel: 602.362.PIPE (7473)
6855 S Kyrene Rd, Suite #101, Tempe, AZ 85283
Email: customerservice@airpipeusa.com
Web: www.airpipeusa.com



* AQUAPipe is a product brand in AIRpipe Group.

Publication AIRpipe – DEC/2019/EN/AP
AIRpipe reserves the rights to modify this documents without prior notice.